

EMERGENCY-ONE OCALA, FL

S0.129967

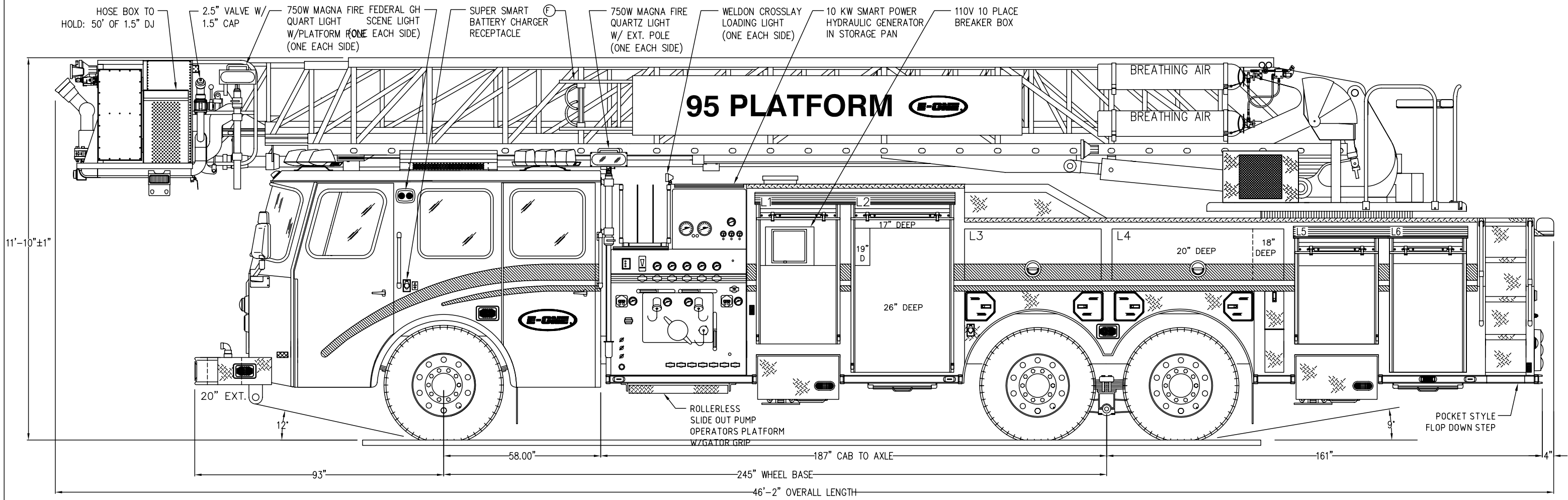
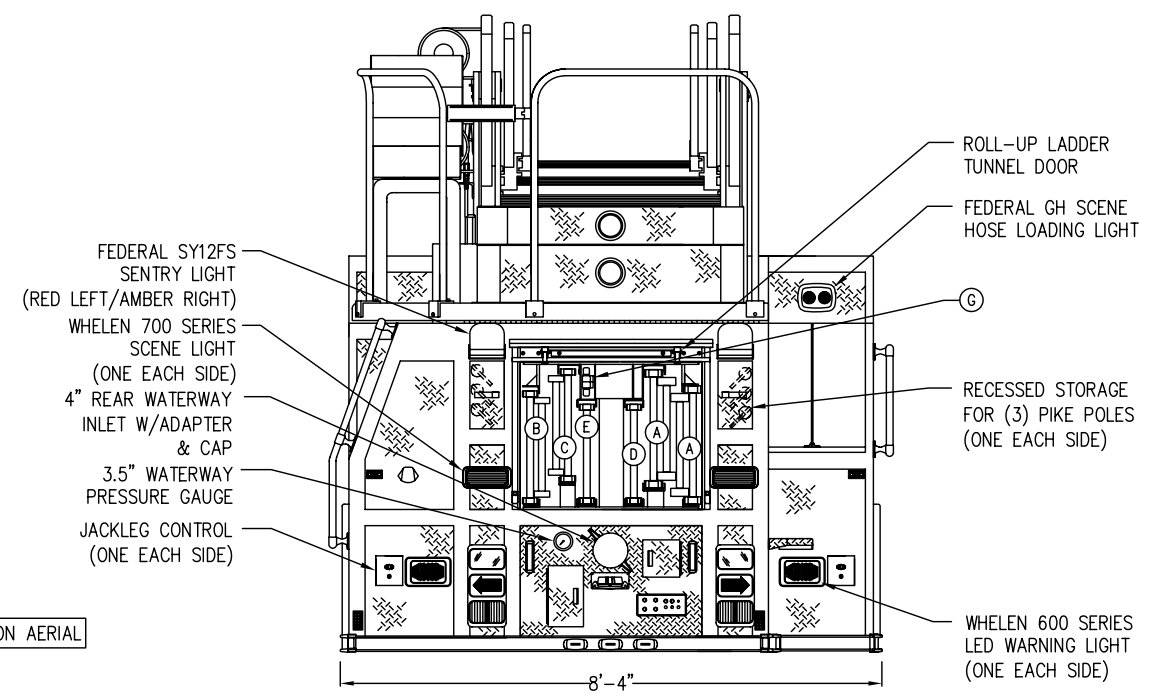
LS98 AERIAL BODY
H712 CYCLONE II CHASSIS
L396 95' PLATFORM

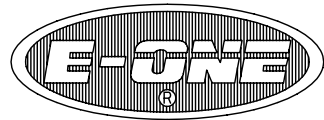
DEALER APPROVAL _____	DATE _____	<input type="checkbox"/> AS IS
CUSTOMER APPROVAL _____	DATE _____	<input type="checkbox"/> WITH REVISIONS

300 GALLON WATER TANK		HOSELOAD:	
1750 GPM HALE Q-MAX PUMP		NFPA	
COMPT.	OPENING	INTERIOR DIMENSION	
L1/R1	29W 46H	31W 26H 17D	UPPER
		31W 29H 14D	LOWER
L2/R2	36W 56H	38W 2H NOTED	UPPER
		38W 53H NOTED	LOWER
L3	50W 19H	50W 19H	26D
L4	63W 19H	63W 19H	NOTED
L5	29W 34H	31W 5H 18D	UPPER
		30W 29H 14D	LOWER
L6	26W 44H	28W 5H 18D	UPPER
		28W 40H 23D	LOWER
R3	31W 19H	30W 19H	14D
R4	28W 30H	28W 30H	23D

THIS DRAWING IS FOR REFERENCE PURPOSES. ALL DIMENSIONS ARE SUBJECT TO MINOR VARIATIONS DUE TO MANUFACTURING PROCESSES.

GROUND LADDERS			
ITEM	LADDER LENGTH	MODEL NUMBER	QTY
A	35' 2-SECT.	PEL-35	2
B	28' 2-SECT.	PEL-28	1
C	24' 2-SECT.	PEL-24	1
D	20' ROOF	PRL-20	1
E	16' ROOF	PRL-16	1
F	14' ROOF	PRL-14	1 ON AERIAL
G	10' FOLDING	FL-10	1

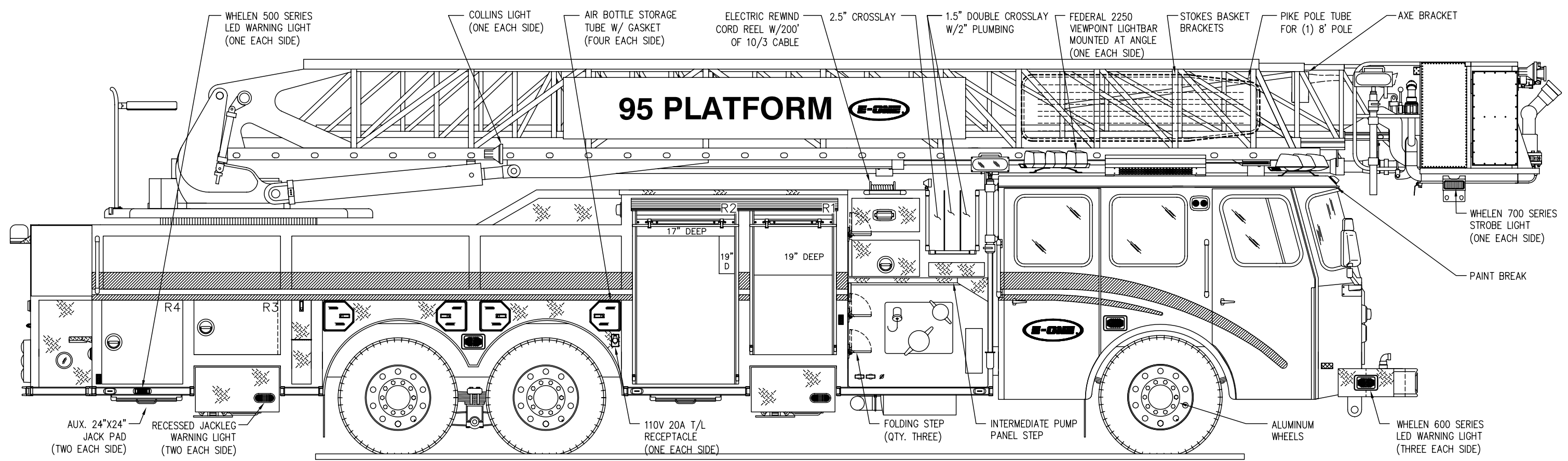
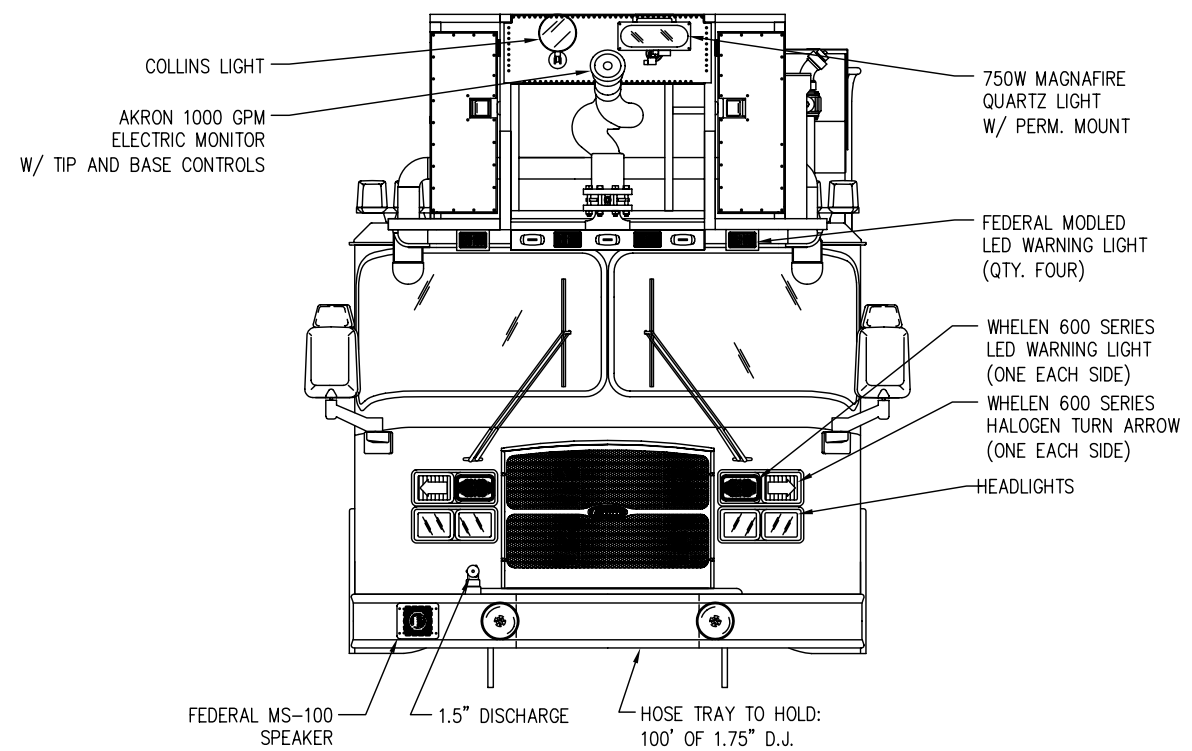




EMERGENCY-ONE OCALA, FL

S0.129967
LS98 AERIAL BODY
H712 CYCLONE II CHASSIS
L396 95' PLATFORM

DEALER APPROVAL _____	DATE _____	<input type="checkbox"/> AS IS
CUSTOMER APPROVAL _____	DATE _____	<input type="checkbox"/> WITH REVISIONS



MOS	A	INITIAL RELEASE	01-19-05	JTH
DRAWN BY	REV	DESCRIPTION	DATE	APPROVED
APPROVAL REVISIONS				SHEET 2 OF 2