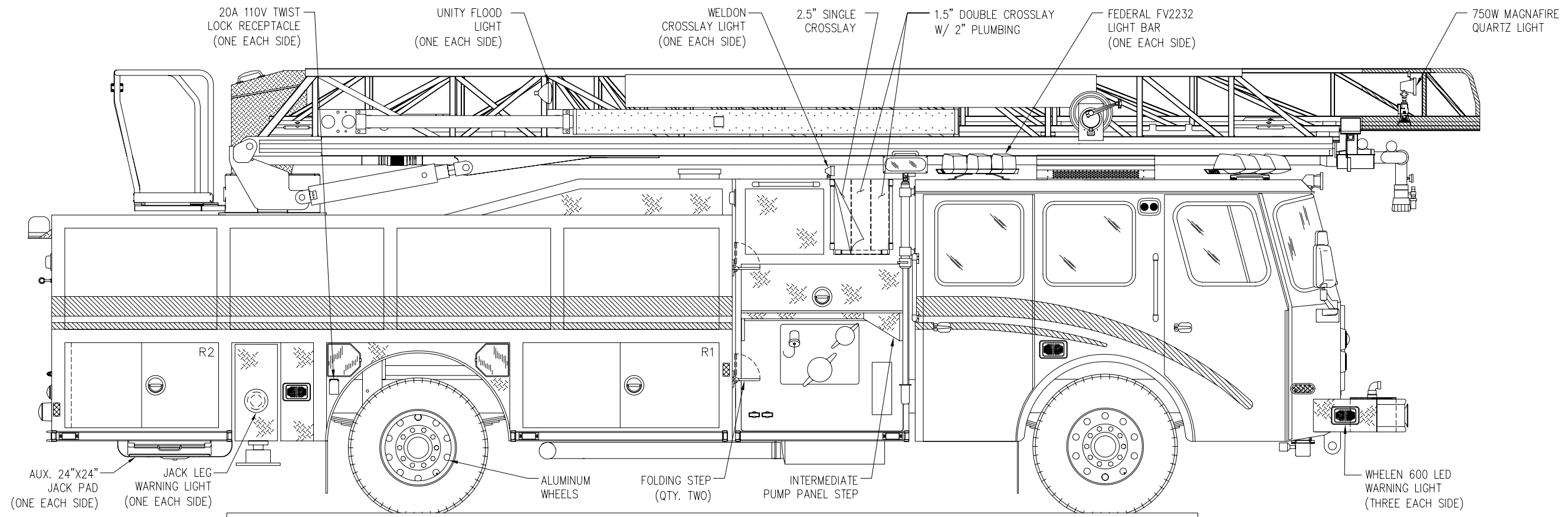
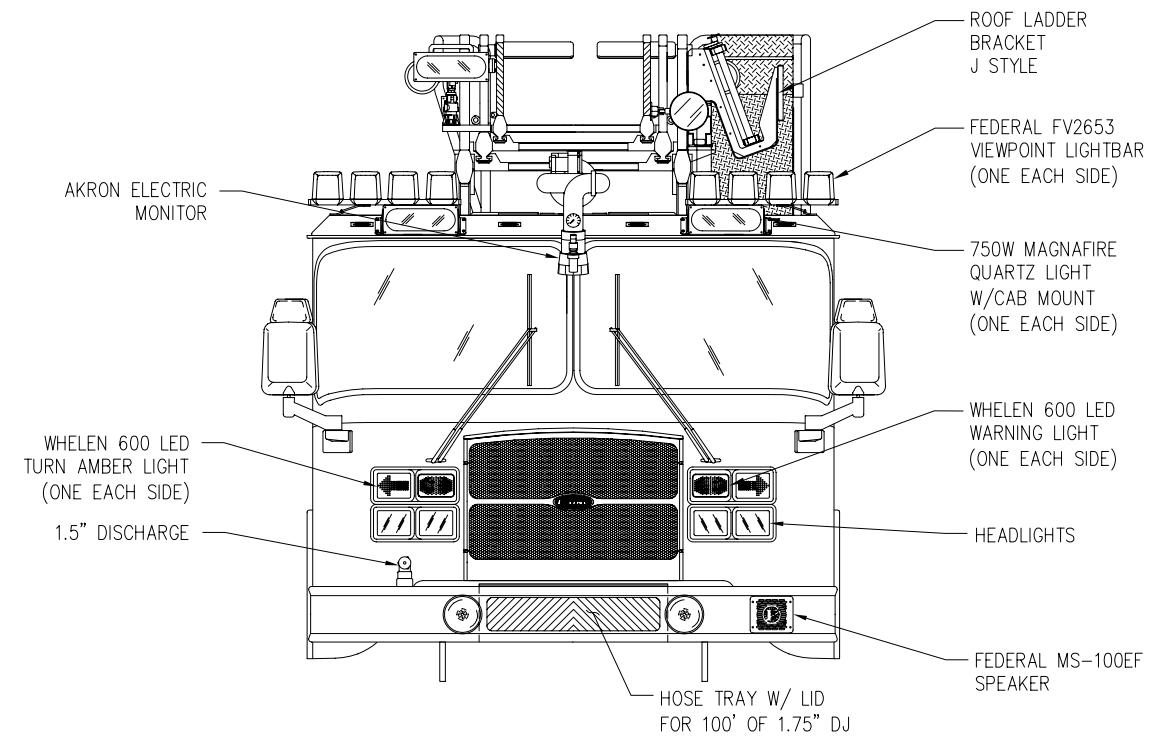


EMERGENCY-ONE OCALA, FL

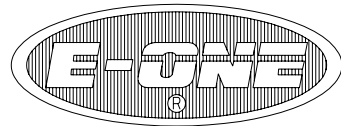
S0.131519
G067 AERIAL BODY
H578 CYCLONE II CHASSIS
G373 HP75 AERIAL LADDER

THIS DRAWING IS FOR REFERENCE PURPOSES. ALL DIMENSIONS ARE SUBJECT TO MINOR VARIATIONS DUE TO MANUFACTURING PROCESSES.

DEALER APPROVAL _____	DATE _____	<input type="checkbox"/> AS IS
CUSTOMER APPROVAL _____	DATE _____	<input type="checkbox"/> WITH REVISIONS



TGB	A	INITIAL RELEASE	2006-FEB-2	BEM
DRAWN BY	REV	DESCRIPTION	DATE	APPROVED
		APPROVAL REVISIONS		SHEET 2 OF 2



EMERGENCY-ONE OCALA, FL

S0.131519
G067 AERIAL BODY
H578 CYCLONE II CHASSIS
G373 HP75 AERIAL LADDER

THIS DRAWING IS FOR REFERENCE PURPOSES. ALL DIMENSIONS ARE SUBJECT TO MINOR VARIATIONS DUE TO MANUFACTURING PROCESSES.

DEALER APPROVAL _____ DATE _____ AS IS
CUSTOMER APPROVAL _____ DATE _____ WITH REVISIONS

2000 GPM HALE QMAX PUMP 500 GALLON WATER TANK		HOSELOAD NFPA	
COMPT.	OPENING	INTERIOR DIMENSION	
L1	58W 57H	60W 31H 24D 60W 26H 26D	UPPER LOWER
L2/L3	38W 22H	40W 31H	24D
L4	24W 57H	26W 31H 24D 26W 26H 26D	UPPER LOWER
R1	60W 26H	60W 26H	26D
R2	47W 26H	45W 26H	26D
GROUND LADDERS			
ITEM	LADDER LENGTH	MODEL NUMBER	QTY
A	35' 3-SECT.	PEL3-35	1
B	24' 2-SECT.	PEL-24	1
C	16' ROOF	PRL-16	2
D	14' ROOF	PRL-14	1
E	10' FOLDING	FL-10	1

