

INTRODUCING

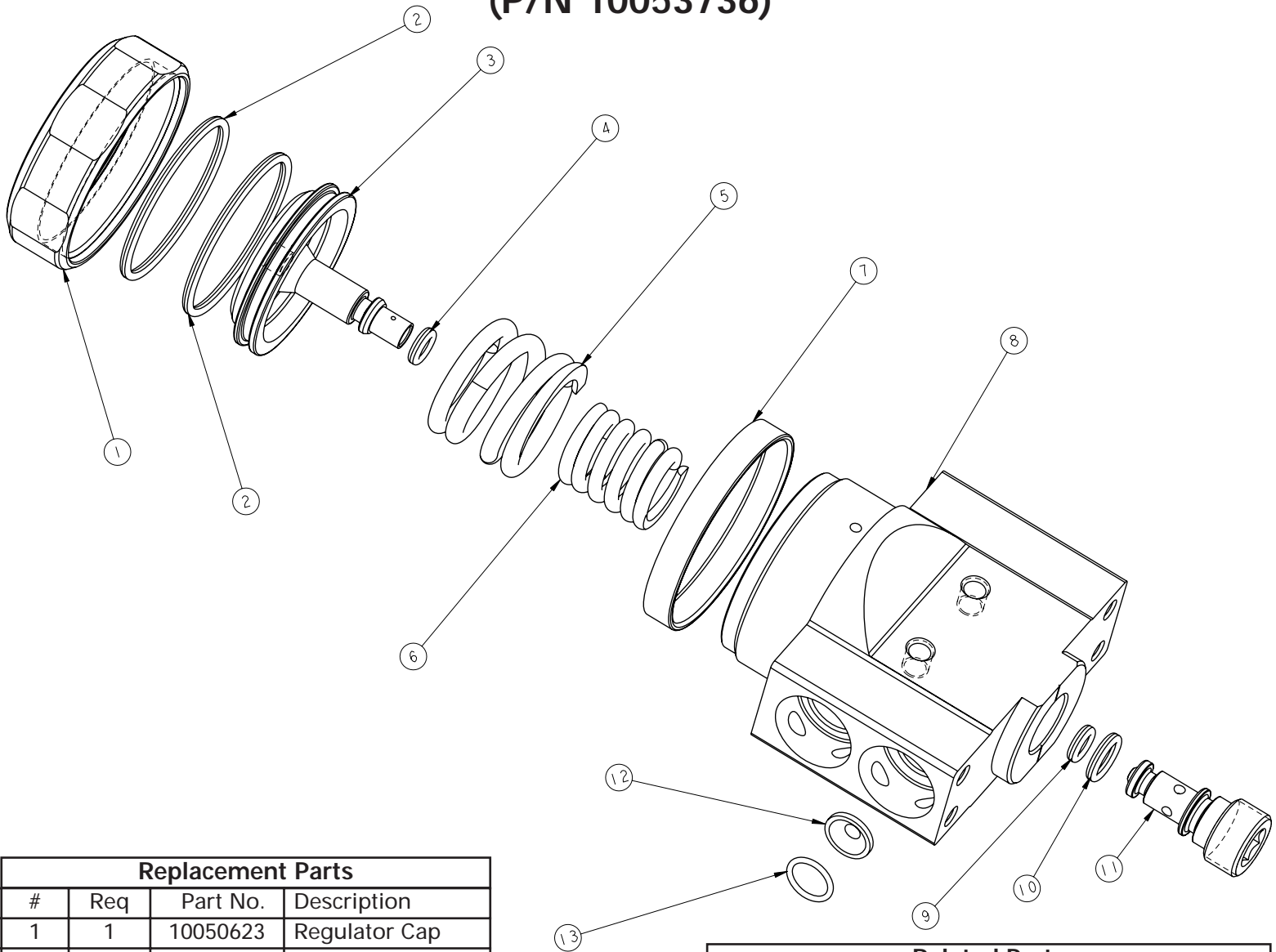
The New PR-14 First Stage Regulator

Quick Facts-

- The new **PR-14 First Stage** regulator will be standard on all FireHawk Air Masks in August 2005. Orders placed with MSA after July 25th 2005 will include the new PR-14 first stage regulator.
- The new PR-14 first stage is **seamlessly interchangeable** with all MSA FireHawk Air Masks, using the appropriate conversion parts, and will be interchangeable with all quarter-turn MMR Air Masks in December 2005 once the NIOSH approvals are complete.
- The new regulator features **only 14 parts**...hence the name...Pressure Reducer-14... and is designed for low cost of ownership and ease of maintenance, while maintaining high flow performance and fail-safe operation.
- The PR-14 is inexpensive and easy to maintain...it has only 14 parts and requires **no special tools** for disassembly. If you're already MSA CARE maintenance certified, you can upgrade your training, to include the PR-14, by reading the new manual! Your Posi-Check software **upgrade is free!**
- The new regulator performs at a level that's **twice the NFPA flow** rate...640 lpm of dynamic flow! It maintains **fail-safe operation** with dual infinite-life springs and a downstream flow configuration.
- For existing customers, MSA will **continue to support** spare parts for the current version of the 1st stage regulator for a **minimum of five years**.



PR-14 Parts List and Ordering Information (P/N 10053736)



Replacement Parts

#	Req	Part No.	Description
1	1	10050623	Regulator Cap
2	2	10052365	O-Ring
3	1	10050617	Piston
4	1	10052364	O-Ring
5	1	10050620	Outer Spring
6	1	10050621	Inner Spring
7	1	10052621	Seal Ring
8	1	10050615	Regulator Body
9	1	10058236	O-Ring
10	1	633553	O-Ring
11	1	10050616	Seat
12	1	10051663	Inlet Filter
13	1	10052367	Inlet Filter O-Ring

Related Parts

Intermediate Pressure Hose, Threaded	10051882
Intermediate Pressure Hose, QC	10051883
Intermediate Pressure Hose, ExtendAire	10051884
High Pressure Gauge Line Hose	10053331
U-Clip	10050622
Mounting Bracket	10051664
Screw	10052622
Pressure Relief Valve	10053426
PR-14 Overhaul Kit	10065408
Flow Test Adapter for Threaded IP Hose	10064117
Flow Test Adapter for QC IP Hose	10064120

Note: This Bulletin contains only a general description of the products shown. While uses and performance capabilities are described, under no circumstances shall the products be used by untrained or unqualified individuals and not until the product instructions including any warnings or cautions provided have been thoroughly read and understood. Only they contain the complete and detailed information concerning proper use and care of these products.



Corporate Headquarters
P.O. Box 426, Pittsburgh, PA 15230 USA
Phone 412-967-3000
www.MSAFire.com

Fire Service Customer Service
Phone 1-877-MSA-FIRE
Fax 1-800-967-0398

MSA Canada
Phone 1-800-MSA-2222
Fax 905-238-4151

MSA Mexico
Phone 52-55 21 22 5770
Fax 52-55 5359 4330

MSA International
Phone 412-967-3354
Fax 412-967-3451

Offices and representatives worldwide
For further information: