



- E-ONE created the industrial fire truck market
- Williams Fire & Hazard Control has been the innovator of industrial fire fighting equipment and techniques for the past 20 years
- For the past 12 years, E-ONE and Williams Fire & Hazard Control have partnered together to become the experts in the industrial apparatus market

Popular Options

- Large flow deck guns (over 3,500 GPM)
- Hot Shot™ Foam System
- Hydro-Foam™
- Hydro-Chem™
- Large diameter intake & discharges
- Dry chem systems
- Custom and commercial chassis



Meets or exceeds all NFPA 1901 standards and DOT regulations.

E-ONE offers the most comprehensive warranty package in the industry. Our trucks include body, structural, stainless steel plumbing, paint and aerial warranties - all part of our overall commitment to build safe, superior products.

ISO 9001 Certified.



Experience, Performance, and Innovation

Experience - No where in the industrial apparatus market will you find a Williams Fire & Hazard Controls product. No where.

Performance - When combined, our high flow deck gun and pump can flow up to 4,000 gallons of foam and water per minute. No other apparatus manufacturer can deliver quicker, more efficient ways to extinguish industrial fires than E-ONE.

Innovation - New technological advancements consistently help improve product design. All E-ONE industrial units come standard with electronic multi-metering valves.

With more experience than any other manufacturer in the industrial arena, you can relax knowing that you've got the most innovative, best performing equipment available on the market - E-ONE industrials, the best truck.



- E-ONE side-mounts offer shorter wheelbases for greater maneuverability
- Single axle up to 1300 gallons




- E-ONE top-mounts provide for a clear view of the fire and eliminate hose interference
- Available in enclosed top-mount



- Aerial units are available in:
 - 75' & 90' straight, or
 - 95 platform

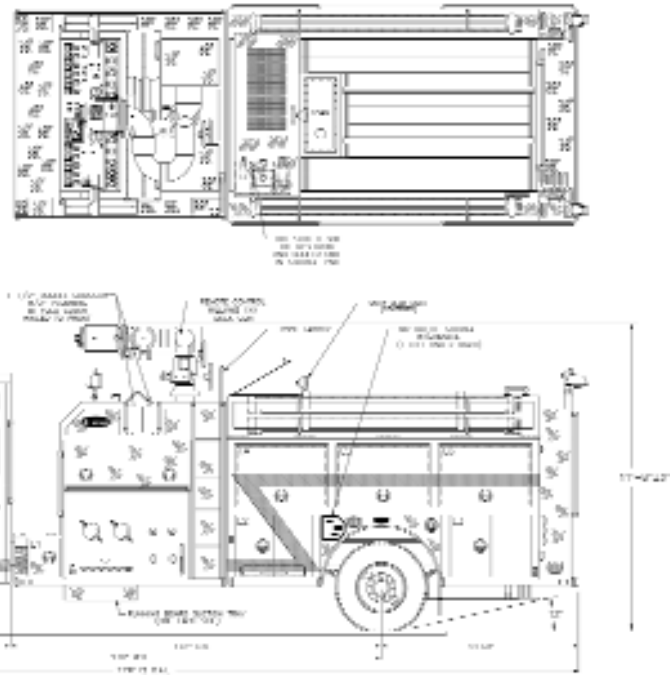
Pumper Specs



DEMO
OCALA, FL
SEA 127-002
X113 INDUSTRIAL PUMPER
H208 CYCLONE II CHASSIS

ITEM NO.	DESCRIPTION	QTY	UNIT PRICE	TOTAL PRICE
11,081	1500 1700 1700 1700 1700	1	1700	1700
12,082	1800 2000 2000 2000 2000	1	2000	2000
13,083	2100 2300 2300 2300 2300	1	2300	2300
14,084	2400 2600 2600 2600 2600	1	2600	2600
15,085	2700 2900 2900 2900 2900	1	2900	2900
16,086	3000 3200 3200 3200 3200	1	3200	3200
17,087	3300 3500 3500 3500 3500	1	3500	3500
18,088	3600 3800 3800 3800 3800	1	3800	3800
19,089	3900 4100 4100 4100 4100	1	4100	4100
20,090	4200 4400 4400 4400 4400	1	4400	4400

APPROVED FOR PRODUCTION
DATE: 02/17/04



High Flow Deck Gun



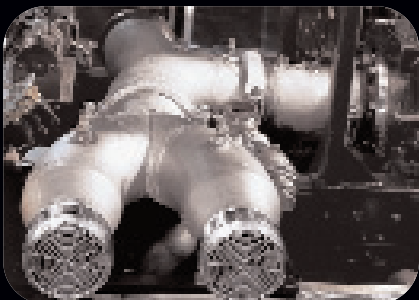
- High flow deck guns (3,500 GPM) are available in remote control and available in Hyrdo-Foam™ and Hydro-Chem™

Hot Shot Foam System



- Foam system is independent of engine and can be controlled from a remote pump panel location

Plumbing



- Fully engineered plumbing system
- All stainless steel plumbing

Top mount pump panel



- User friendly design keeps emergency personnel on top of the action