

# EMERGENCY-ONE OCALA, FL

S0.131142  
G067 AERIAL BODY  
H578 CYCLONE II CHASSIS  
G373 HP75 AERIAL LADDER

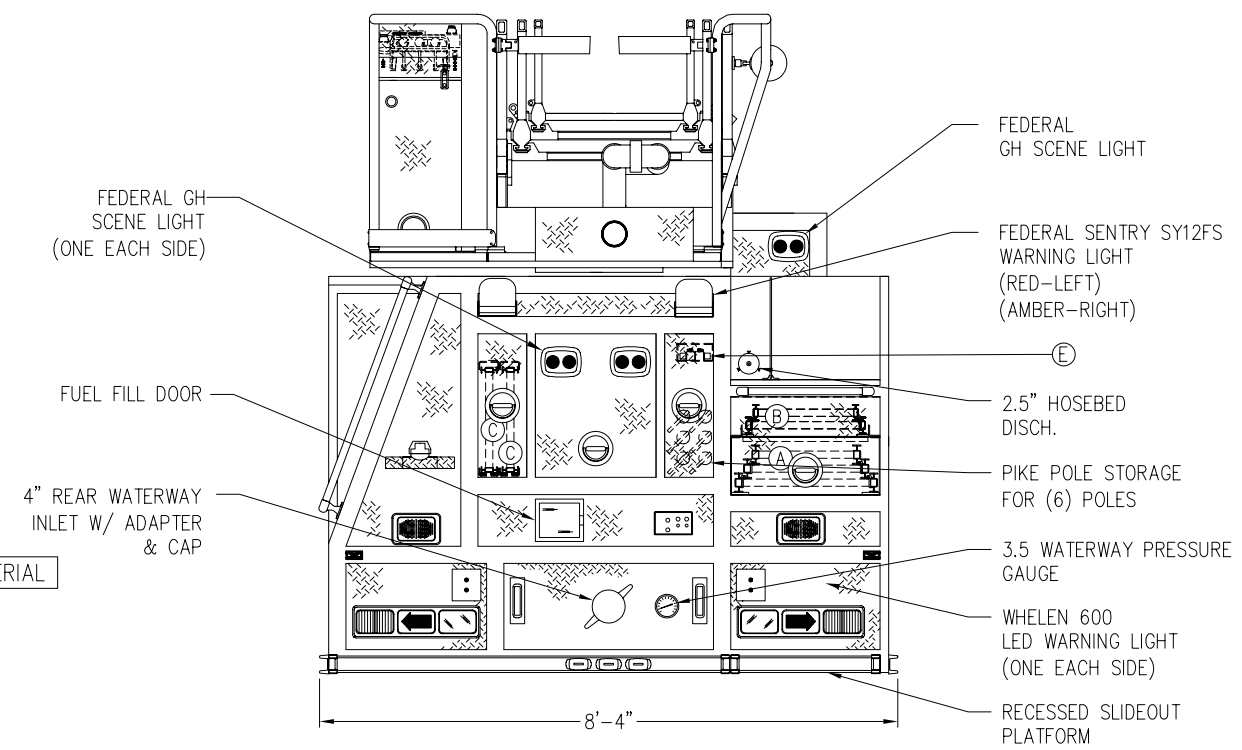
500 GALLON WATER TANK	HOSELOAD
1750 GPM HALE Q-MAX PUMP	NFPA
ALL ALUMINUM CONSTRUCTION	

COMPT.	OPENING		INTERIOR DIMENSION			
L1	60W	61H	60W	35H	24D	UPPER LOWER
L2/L3	40W	31H	40W	35H	24D	
L4	26W	61H	26W	35H	24D	UPPER LOWER
R1	60W	26H	60W	26H	26D	
R2	47W	26H	45W	26H	26D	

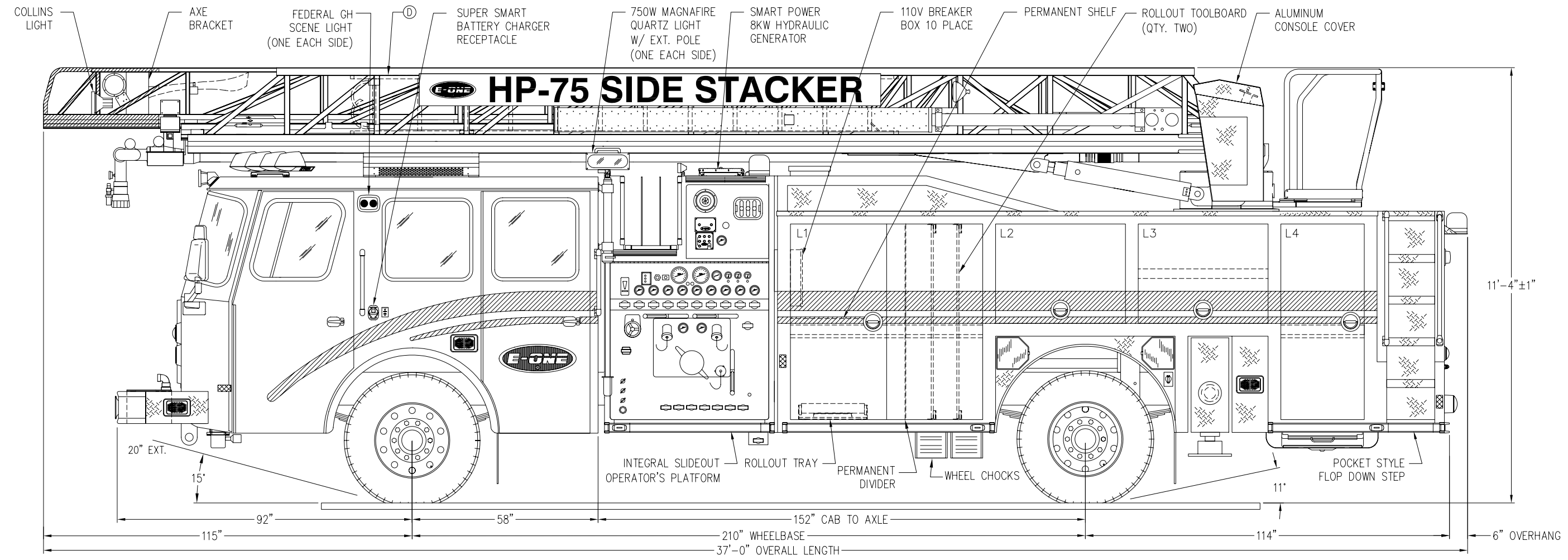
THIS DRAWING IS FOR REFERENCE PURPOSES. ALL DIMENSIONS ARE SUBJECT TO MINOR VARIATIONS DUE TO MANUFACTURING PROCESSES.

GROUND LADDERS			
ITEM	LADDER LENGTH	MODEL NUMBER	QTY
A	35' 3-SECT.	PEL3-35	1
B	24' 2-SECT.	PEL-24	1
C	16' ROOF	PRL-16	2
D	14' ROOF	PRL-14	1
E	10' FOLDING	FL-10	1

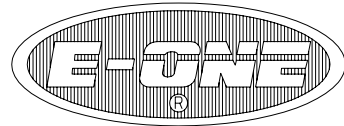
ON AERIAL



DEALER APPROVAL _____	DATE _____	<input type="checkbox"/> AS IS
CUSTOMER APPROVAL _____	DATE _____	<input type="checkbox"/> WITH REVISIONS



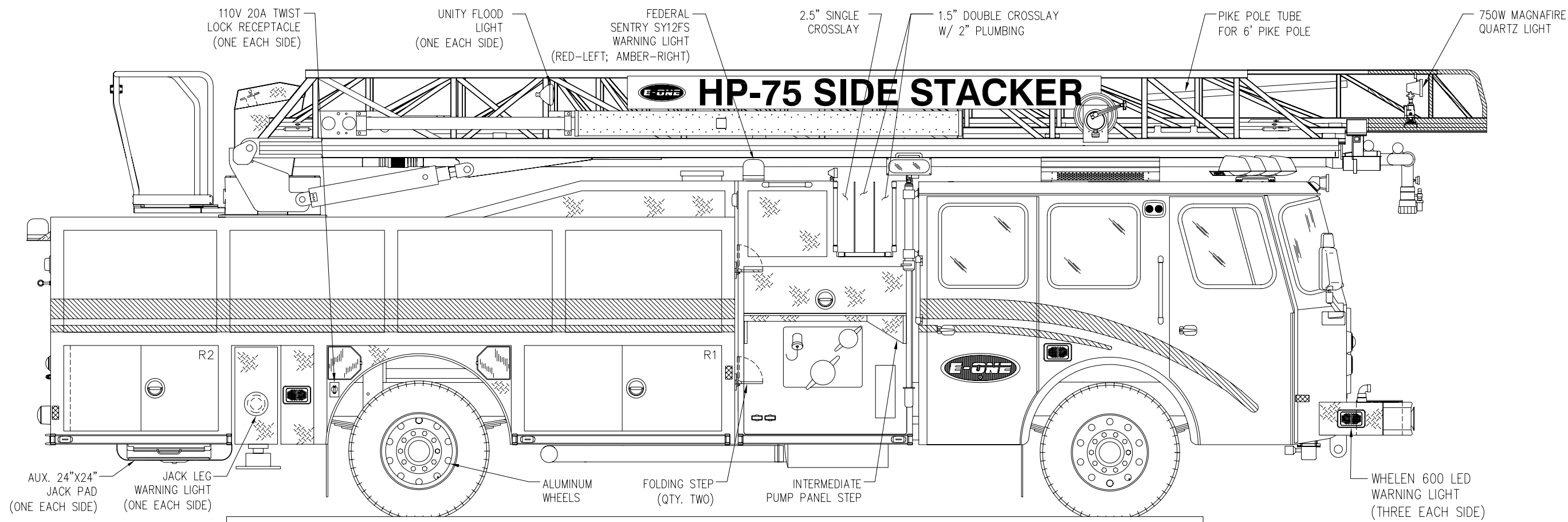
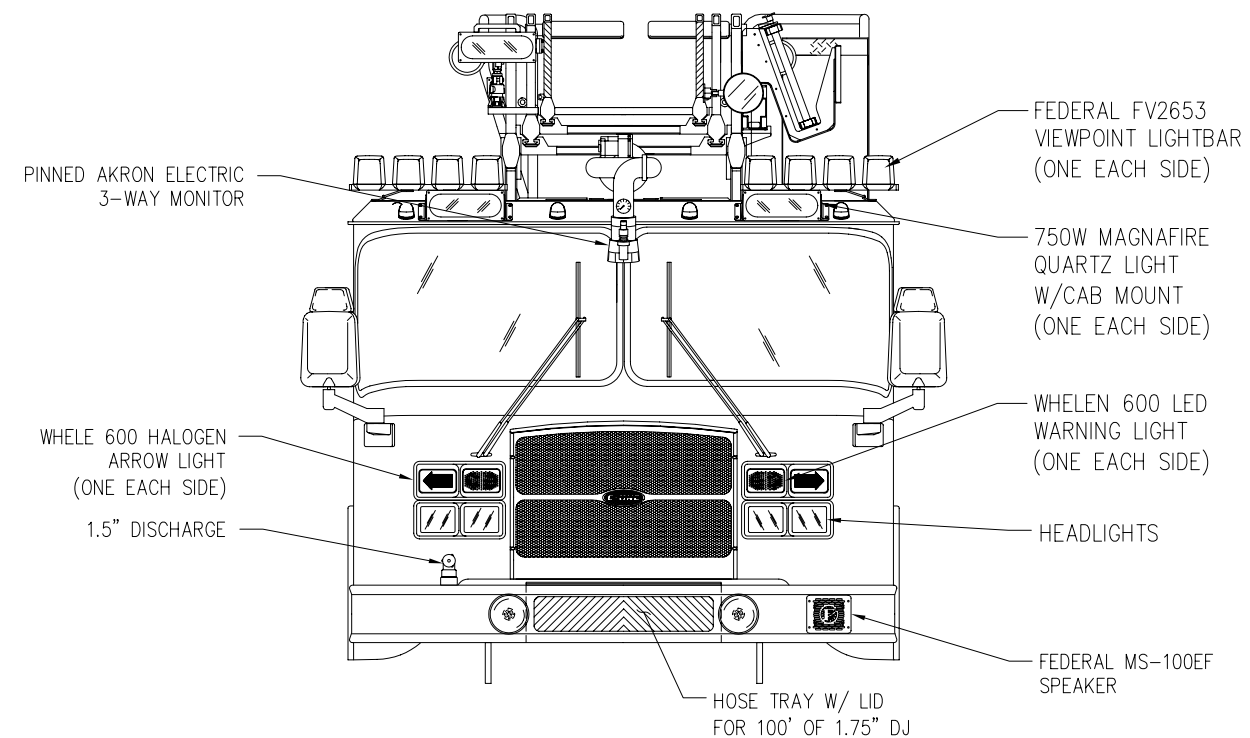
DWB	B	OFF P/P STEP AND FOLDING STEPS	2/20/2006	DWB
TBR	A	INITIAL RELEASE	2006-OCT-3	REM
DRAWN BY	REV	DESCRIPTION	DATE	APPROVED
		APPROVAL REVISIONS		SHEET 1 OF 2



# EMERGENCY-ONE OCALA, FL

S0.131142  
G067 AERIAL BODY  
H578 CYCLONE II CHASSIS  
G373 HP75 AERIAL LADDER

DEALER APPROVAL _____	DATE _____	<input type="checkbox"/> AS IS
CUSTOMER APPROVAL _____	DATE _____	<input type="checkbox"/> WITH REVISIONS



DWB	B	OFF P/P STEP AND FOLDING STEPS	2/20/2006	DWB
TBR	A	INITIAL RELEASE	2005-OCT-3	REM
DRAWN BY	REV	DESCRIPTION	DATE	APPROVED
		APPROVAL REVISIONS		SHEET 2 OF 2