

EMERGENCY-ONE OCALA, FL

S0.131523

LS98 AERIAL BODY
H712 CYCLONE II CHASSIS
L396 95' PLATFORM

THIS DRAWING IS FOR REFERENCE PURPOSES. ALL DIMENSIONS ARE SUBJECT TO MINOR VARIATIONS DUE TO MANUFACTURING PROCESSES.

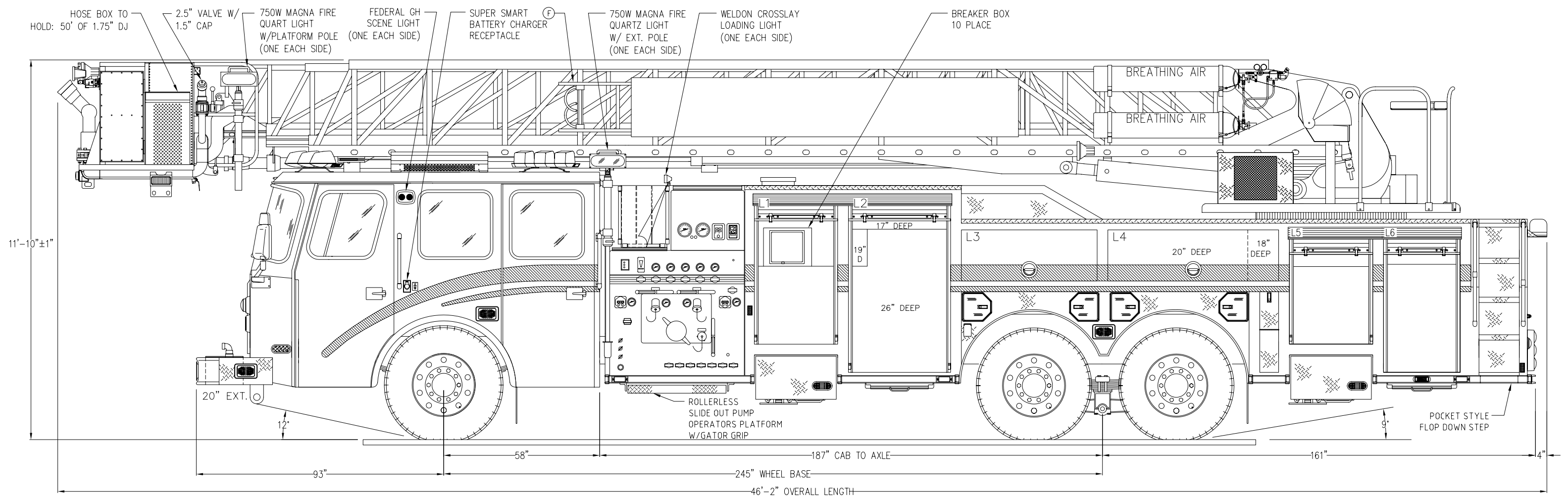
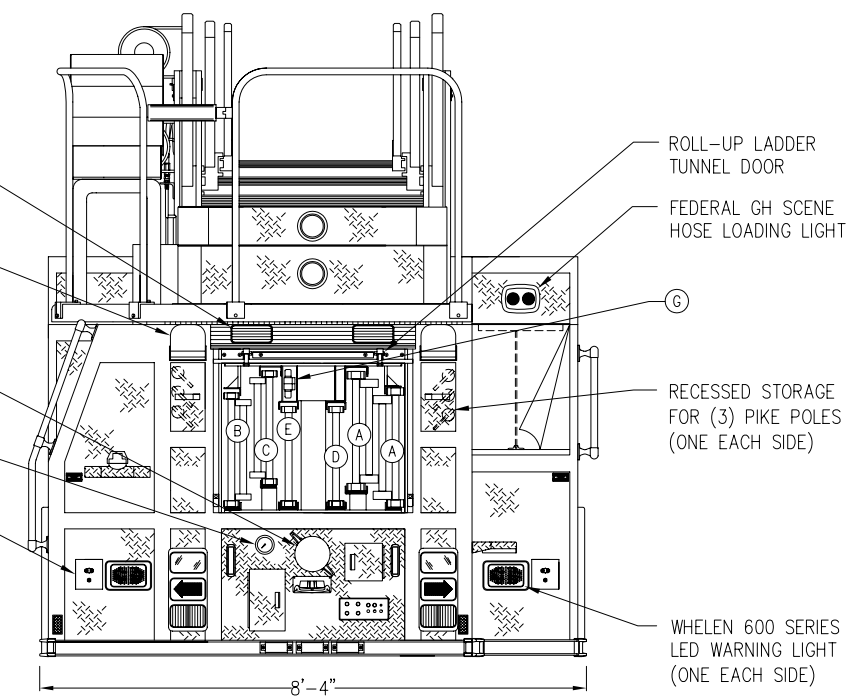
DEALER APPROVAL _____ DATE _____ AS IS
CUSTOMER APPROVAL _____ DATE _____ WITH REVISIONS

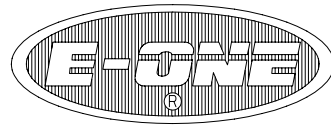
300 GALLON WATER TANK				HOSELOAD:			
2000 GPM HALE Q-MAX PUMP				NFPA			
COMPT.	OPENING		INTERIOR DIMENSION				
L1/R1	29W	46H	31W	26H	17D	UPPER	
			31W	29H	14D	LOWER	
L2/R2	36W	56H	38W	2H NOTED		UPPER	
			38W	53H NOTED		LOWER	
L3	50W	19H	50W	19H	26D		
L4	63W	19H	63W	19H	NOTED		
L5	29W	34H	31W	5H	18D	UPPER	
			30W	29H	14D	LOWER	
L6	26W	44H	28W	5H	18D	UPPER	
			28W	40H	23D	LOWER	
R3	31W	19H	30W	19H	14D		
R4	28W	30H	28W	30H	23D		

THIS DRAWING IS FOR REFERENCE PURPOSES. ALL DIMENSIONS ARE SUBJECT TO MINOR VARIATIONS DUE TO MANUFACTURING PROCESSES.

GROUND LADDERS			
ITEM	LADDER LENGTH	MODEL NUMBER	QTY
A	35' 2-SECT.	PEL-35	2
B	28' 2-SECT.	PEL-28	1
C	24' 2-SECT.	PEL-24	1
D	20' ROOF	PRL-20	1
E	16' ROOF	PRL-16	1
F	14' ROOF	PRL-14	1
G	10' FOLDING	FL-10	1

WHELEN 700 SERIES SCENE LIGHT (ONE EACH SIDE)
FEDERAL SY12FS SENTRY LIGHT (RED LEFT/AMBER RIGHT)
4" WATERWAY INLET W/ADAPTER & CAP
3.5" WATERWAY PRESSURE GAUGE
JACKLEG CONTROL (ONE EACH SIDE)





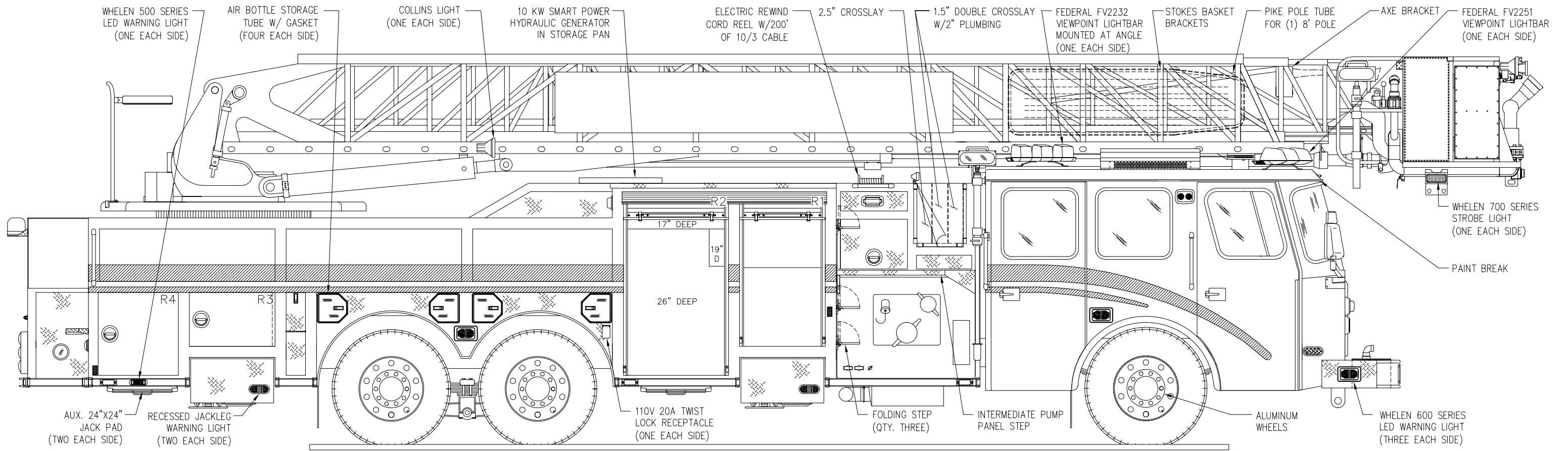
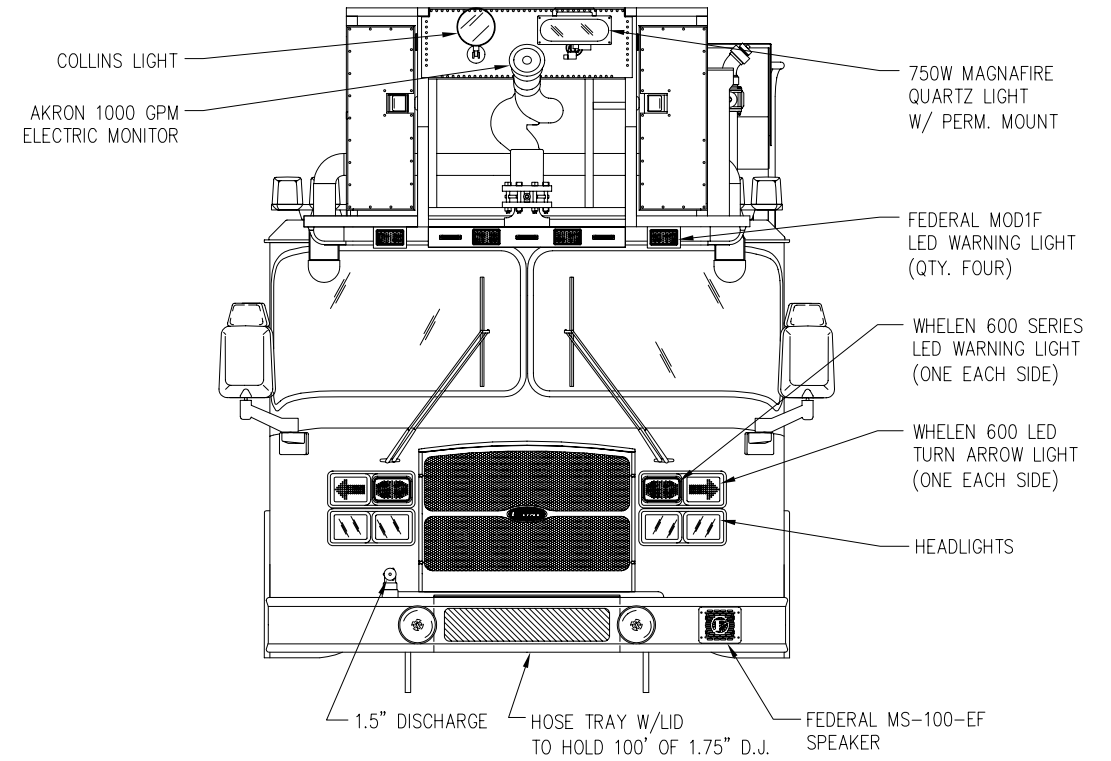
EMERGENCY-ONE OCALA, FL

S0.131523

LS98 AERIAL BODY
H712 CYCLONE II CHASSIS
L396 95' PLATFORM

THIS DRAWING IS FOR REFERENCE PURPOSES. ALL DIMENSIONS ARE SUBJECT TO MINOR VARIATIONS DUE TO MANUFACTURING PROCESSES.

DEALER APPROVAL _____ DATE _____ AS IS
CUSTOMER APPROVAL _____ DATE _____ WITH REVISIONS



TDR	A	INITIAL RELEASE	2006-FEB-3	BEM
DRAWN BY	REV	DESCRIPTION	DATE	APPROVED
		APPROVAL REVISIONS		SHEET 2 OF 2