

E-ONE DEMO OCALA, FL

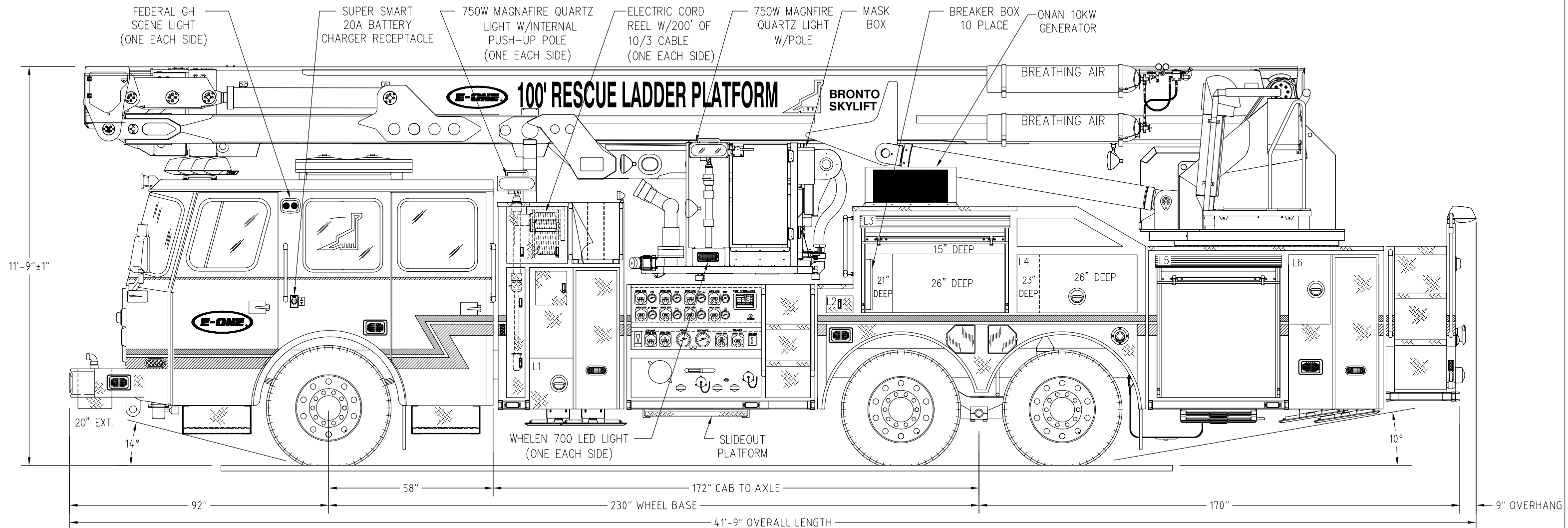
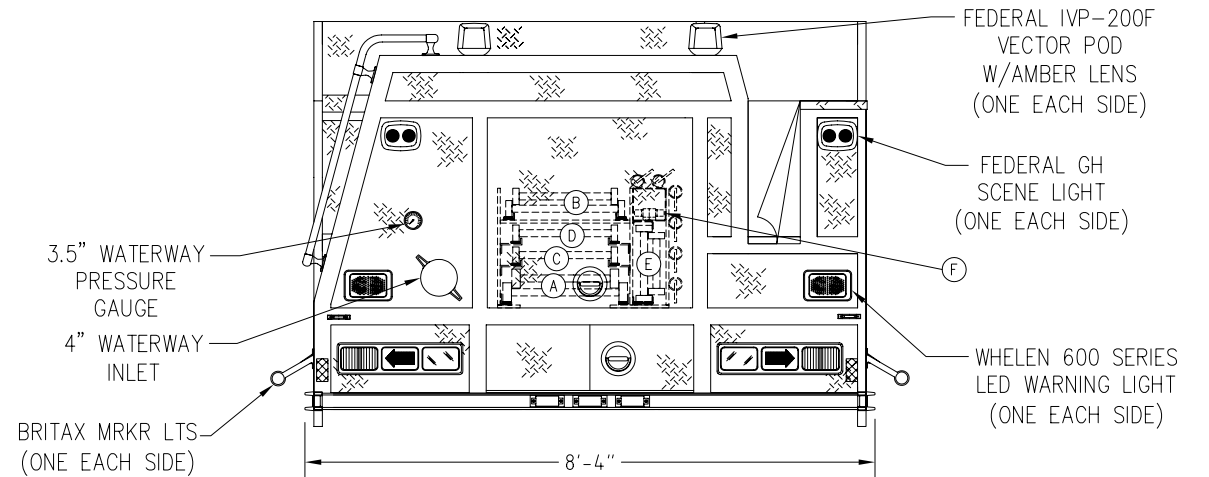
SO.131774
RLP AERIAL BODY
H586 CYCLONE II CHASSIS
Q100 RLP AERIAL

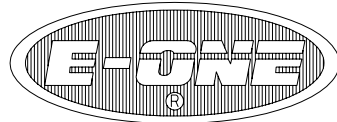
APPROVED FOR PRODUCTION

DESIGNER: D. BOLAND DATE: 03-17-06

COMPT.	OPENING		INTERIOR DIMENSION		
L1	15W	18H	15W	18H	18D
R1	16W	18H	16W	18H	18D
L2	9W	7H	9W	7H	17D
R2	44W	14H	44W	14H	14D
L3	50W	25H	52W	4H NOTED 20H NOTED	UPPER LOWER
R3	13W	36H	13W	36H	20D
L4	42W	19H	42W	19H	NOTED
R4	9W	7H	9W	7H	25D
L5	41W	40H	43W	49H	19D
R5	50W	25H	52W	33H	26D
L6	13W	23H	13W	23H	18D
R6	42W	19H	42W	19H	9D
R7	39W	40H	41W	14H 26H NOTED	9D UPPER LOWER
R8	17W	23H	17W	23H	8D
R9	17W	46H	17W	27H 23H	9D UPPER LOWER

THIS DRAWING IS FOR REFERENCE PURPOSES. ALL DIMENSIONS ARE SUBJECT TO MINOR VARIATIONS DUE TO MANUFACTURING PROCESSES.





E-ONE DEMO OCALA, FL

SO.131774
RLP AERIAL BODY
H586 CYCLONE II CHASSIS
Q100 RLP AERIAL

APPROVED FOR PRODUCTION

DESIGNER: D BOLAND DATE: 03-17-06

2000 GPM WATEROUS S100 PUMP		HOSE LOAD:	
300 GALLON TANK		600'-800' OF	
ALL ALUMINUM CONSTRUCTION		5.00" LDH	
GROUND LADDERS			
ITEM	LADDER LENGTH	MODEL NUMBER	QTY
A	35' 2-SEC.	PEL-35	1
B	24' 2-SECT.	PEL-24	1
C	18' ROOF	PRL-18	1
D	16' ROOF	PRL-16	1
E	12' 2-SECT.	AEL-12	1
F	10' ATTIC	FL-10	1

