

FIRERANGER MINIPUMPER

CHASSIS

Model: Ford F-550, 2 Door, 17,500lb GW, 4X4, 6-speed manual transmission, 6.0L diesel engine

TANK

Water Capacity: 300 Gallons
Foam Capacity: 40 Gallons

COMPARTMENTATION

Compartment L1/R1: 17.00-W x 51.00-H x 20.50-D
Compartment L2/R2: 74.50-W x 29.00-H x 20.50-D
Compartment REAR : 46.50-W x 29.00-H x 25.00-D

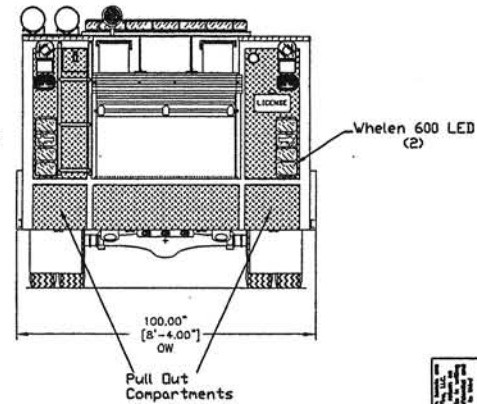
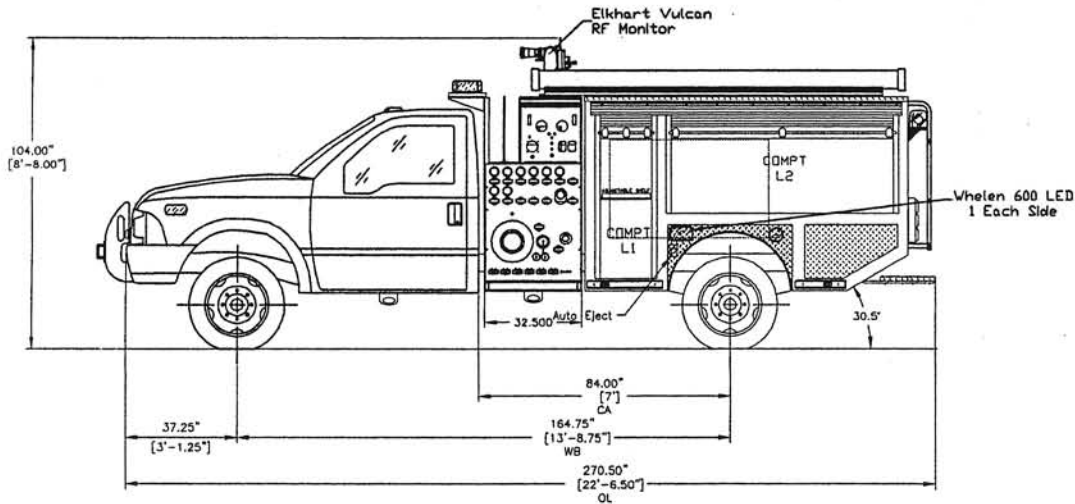
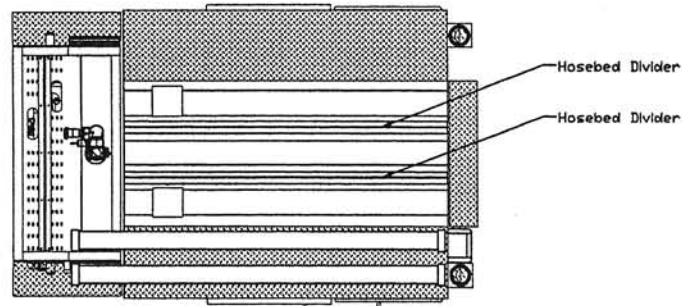
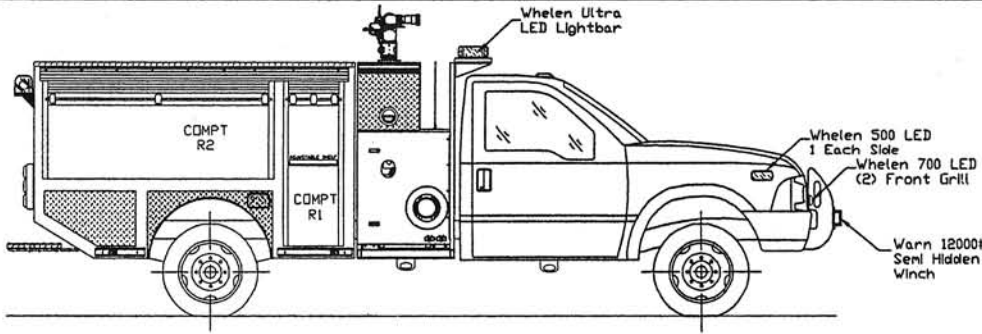
PUMP

Water Pump: Waterous CXVC-1250
Foam System: Hale FoamLogix 2.1A

PLUMBING

QTY TYPE

- (2) 6.0" Intake
- (1) 2.5" Left Side Gated Intake
- (1) 3.0" Tank to Pump Intake
- (1) 2.0" Tank Fill
- (2) 2.0" Pre-Connected Crosslays
- (1) 2.5" Left Side Discharge
- (1) 4.0" Right Side Discharge
- (1) 2.5" Rear Right Discharge
- (1) 3.0" Monitor Discharge



<small> 1. All dimensions are in inches unless otherwise specified. 2. All dimensions are to center line unless otherwise specified. 3. All dimensions are to the outside unless otherwise specified. 4. All dimensions are to the inside unless otherwise specified. 5. All dimensions are to the center line unless otherwise specified. 6. All dimensions are to the outside unless otherwise specified. 7. All dimensions are to the inside unless otherwise specified. 8. All dimensions are to the center line unless otherwise specified. 9. All dimensions are to the outside unless otherwise specified. 10. All dimensions are to the inside unless otherwise specified. </small>	<small> DIMENSION NOTES 1. ALL DIMENSIONS SPECIFIED IN INCHES UNLESS OTHERWISE SPECIFIED. 2. ALL DIMENSIONS ARE TO CENTER LINE UNLESS OTHERWISE SPECIFIED. 3. ALL DIMENSIONS ARE TO THE OUTSIDE UNLESS OTHERWISE SPECIFIED. 4. ALL DIMENSIONS ARE TO THE INSIDE UNLESS OTHERWISE SPECIFIED. 5. ALL DIMENSIONS ARE TO THE CENTER LINE UNLESS OTHERWISE SPECIFIED. 6. ALL DIMENSIONS ARE TO THE OUTSIDE UNLESS OTHERWISE SPECIFIED. 7. ALL DIMENSIONS ARE TO THE INSIDE UNLESS OTHERWISE SPECIFIED. 8. ALL DIMENSIONS ARE TO THE CENTER LINE UNLESS OTHERWISE SPECIFIED. 9. ALL DIMENSIONS ARE TO THE OUTSIDE UNLESS OTHERWISE SPECIFIED. 10. ALL DIMENSIONS ARE TO THE INSIDE UNLESS OTHERWISE SPECIFIED. </small>		
	FIRE RANGER MINI-PUMPER IAFC RANGER MP		
DRAWN BY G. WALSH	COMPLETED 8/3/08	CHECKED _____	APPROVED _____
REV. BY _____	DATE _____	SHOP ORDER NUMBER E6070013	



E-ONE Classic Series Mini Pumper

CHASSIS FEATURES

GVWR: 17,500 lbs

Wheelbase: 165"

Travel Height: 7'10"

Travel Length: 22'7"

Cab: Ford F550

4x4

Seating for Three - 2 door chassis

Ford "PowerStroke" 6.0L Diesel Motor / Ford 5 Speed Automatic Transmission

Dana® @ 7,000 lbs front

Dana® @ 13,000 lbs rear

ABS Brakes

Dual 110 Amp Alternators

(2) 950CCA

Front: General® 255/70R19.5

Rear: General® 255/70R19.5

40 gallon

Fuel Tank:

BODY FEATURES

Construction: All Aluminum Extruded Body w/ Angle of Departure

L1/R1: 17W x 51H x 20.5D

L2/R2: 74.5W x 29H x 20.50D

B1: 46.5W x 29H x 25D

Side Mounted

Waterous® CXVC 1000 gpm

300 gallons and 40 gallon integral foam cell

Stainless Steel, high pressure hose or brass with stainless steel manifold system

(1) Elkhart® Vulcan Monitor Electric 1250 gpm

(2) 2" Crosslay Discharge

(1) 1.0" Hose Reel Discharge

(1) 2.5" Intake (gated)

(2) 6" Intakes (ungated)

(1) 4" Discharge

(1) 2" Tank Fill

Hale FoamLogix 2.1a Class Foam System

Whelen® Ultra Freedom Lightbar

Whelen (2) Rotary Lights

Whelen - upper and lower level warning

Federal Signal PA300 siren system

Hard Suction Hose 6x10

Additional Options:

10-year body, paint, and plumbing

STANDARD

WARRANTIES:

Lifetime water and foam tank

1 year basic vehicle warranty

130633

S.O.#:

E-One Inc. • 1601 SW 37th Avenue • Ocala, FL 34474

ph. 352.237.1122 • fx. 352.237.1151

We proudly manufacture E-One, Salsbury, Superior and Bronto Skylift.